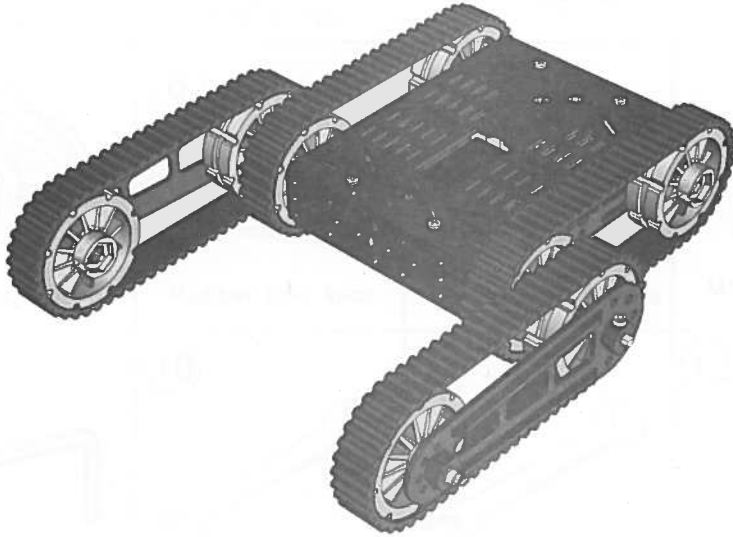


Multi Chassis Tank (rescue platform)



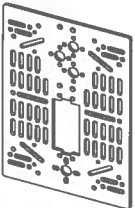
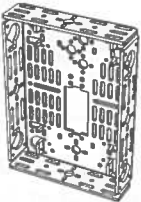

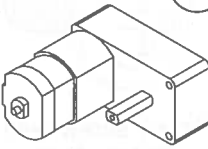
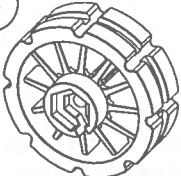
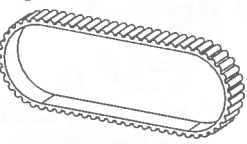
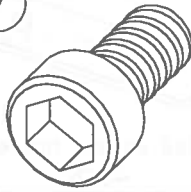
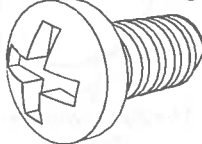

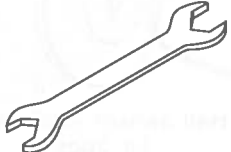
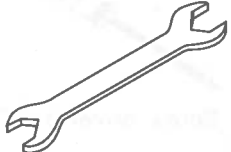
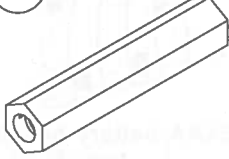
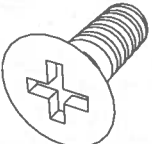
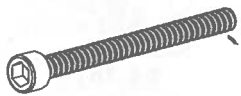
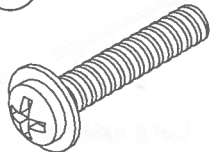
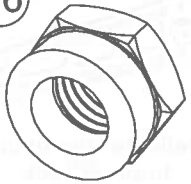
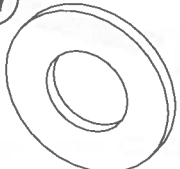
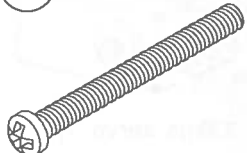

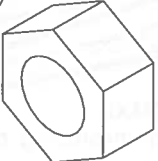
Copyright © 2013 by DAGU Hi-tech Electronic Co., Ltd.
All rights reserved. No portion of this instruction sheet or any artwork contained here in may be reproduced in any shape or form without the express written consent of DAGU Hi-tech Electronic Co., Ltd.
The manufacturer and distributor cannot be held responsible for any damages occurred by mishandling, mounting mistakes or misuse due to non-respect of the instructions contained in this manual.



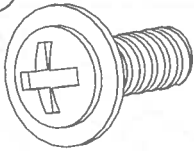
Manufacturer:
DAGU Hi-Tech Electronic Co.,LTD
WWW.AREXX.COM.CN

Address:NO.4-107/108 HengXing Street, HengHai Rd, South District, ZhongShan
City of GuangDong China
TEL:0760-88811951
<http://www.arexx.com.cn>
E-mail:info@arexx.com.cn

Parts list:

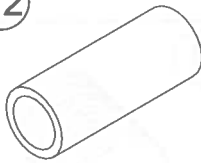
<p>1</p>  <p>Aluminum chassis top 1pc</p>	<p>2</p>  <p>Aluminum chassis bottom 1pc</p>	<p>3</p>  <p>$\Phi 4$ kimi screw 2pcs</p>	<p>4</p>  <p>DC motor 2pcs</p>
<p>5</p>  <p>Track wheel 8pcs</p>	<p>6</p>  <p>Rubber belt 4pcs</p>	<p>7</p>  <p>M3*6 hex screw 2pcs</p>	<p>8</p>  <p>M3*8 round head screw 8pcs</p>
<p>9</p>  <p>$\Phi 3$ hex 1pc $\Phi 4$ hex 1pc</p>	<p>10</p>  <p>Spanner (M2.5 & M4) 1pc</p>	<p>11</p>  <p>Spanner (M2 & M3) 1pc</p>	<p>12</p>  <p>Distance holder M3*25 4pcs</p>
<p>13</p>  <p>M3*8 flat-head screw 8pcs</p>	<p>14</p>  <p>M3*35 screw 2pcs</p>	<p>15</p>  <p>M3*16 screw with flange 2pcs</p>	<p>16</p>  <p>M3 nyloc nut 2pcs</p>
<p>17</p>  <p>M3 washer (thin) 10pcs</p>	<p>18</p>  <p>M2.5*25 screw 2pcs</p>	<p>19</p>  <p>M2.5 nyloc screw 4pcs</p>	<p>20</p>  <p>M3 nut 4pcs</p>

21



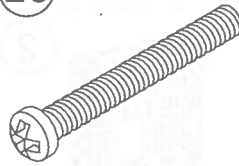
M3*8 screw with flange 4pcs

22



Φ3*11 spacer 2pcs

23



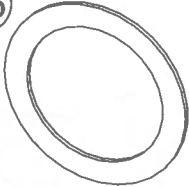
M2.5*20 screw 2pcs

24



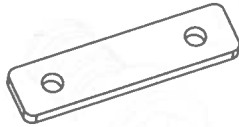
Φ3*28 spacer 2pcs

25



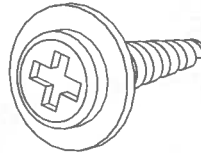
15*20*1 washer 4pcs

26



Hall sensor holder 2pcs

27



M2.3*8 tapping screw with flange 6pcs

28



10*15*4 flange bearings 4pcs

29



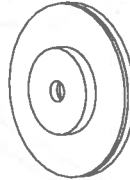
5XAA battery holder 1pc

30



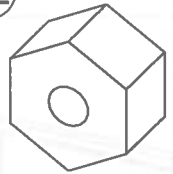
Screw driver 1pc

31



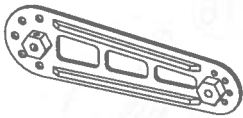
Hall sensor encoder kit 2pcs

32



Φ4 Hexagonal connecting piece 2pc

33



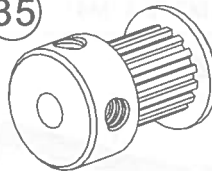
Delicate aluminum bracket 2pcs

34



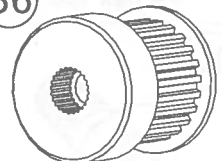
Long axle 1pc

35



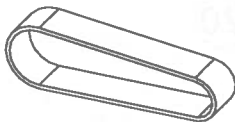
Φ4 16T synchronizing gear 1pc

36



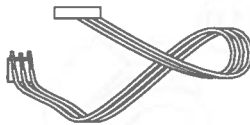
Φ4 24T synchronizing gear 1pc

37



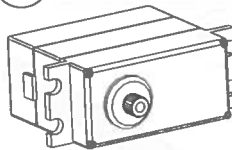
60MXL synchronizing belt 1pc

38



Hall sensor 2pcs

39



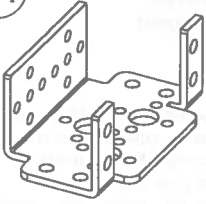
13kgs servo 1pc

40



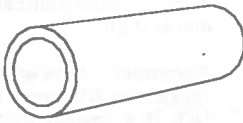
M3*22 screw 1pc

41



U shape holder 1pc

42

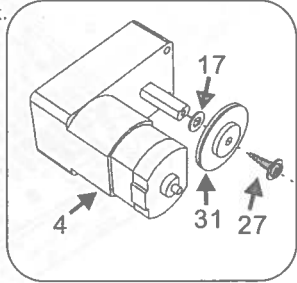
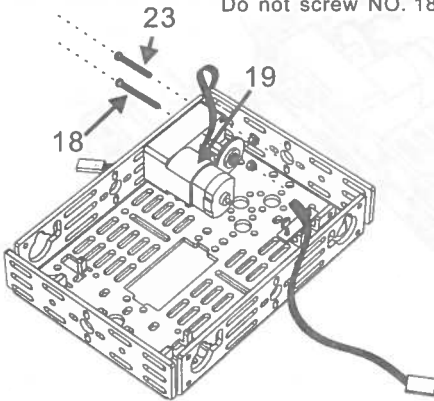


Φ3*12 spacer 1pc

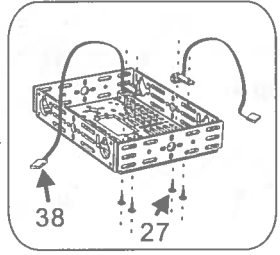
Assembly Instructions:

Step 1:

Do not screw NO. 18 & 23 too tight.

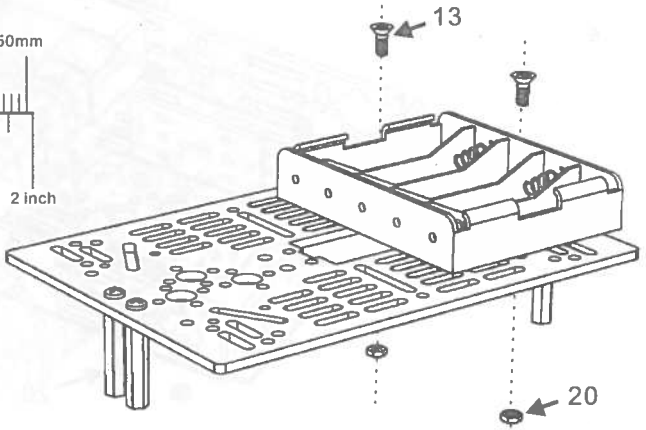
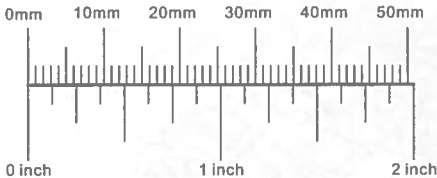


We suggest to bend the hall sensor to 6~8mm height. Please assemble the hall sensor with a marking "20L" facing towards the magnet.



Step 2:

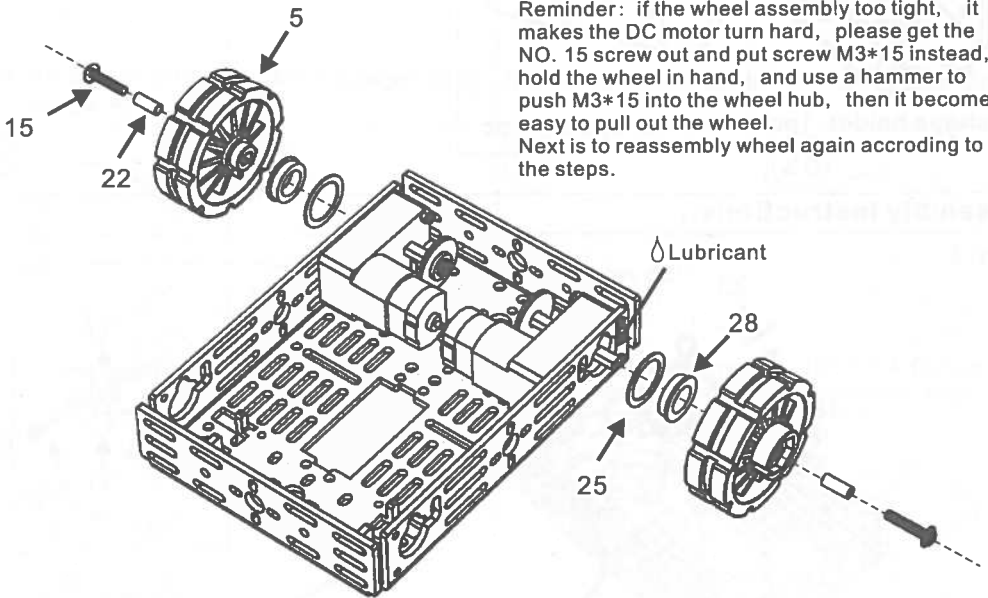
Use the ruler to check the length of your screws.



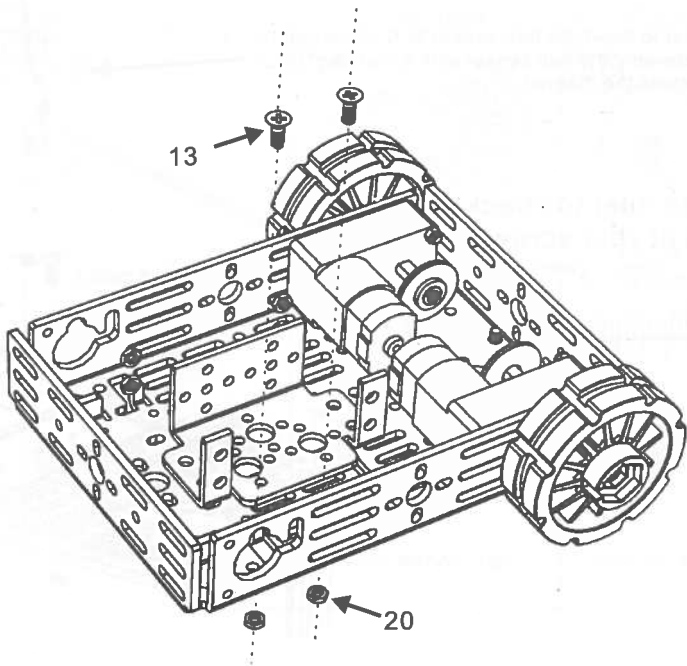
Step 3:

Due to the wheel and metal shaft matching too tight and try to avoid scratch the wheel hub, we suggest to apply some lubricate on the metal shaft.

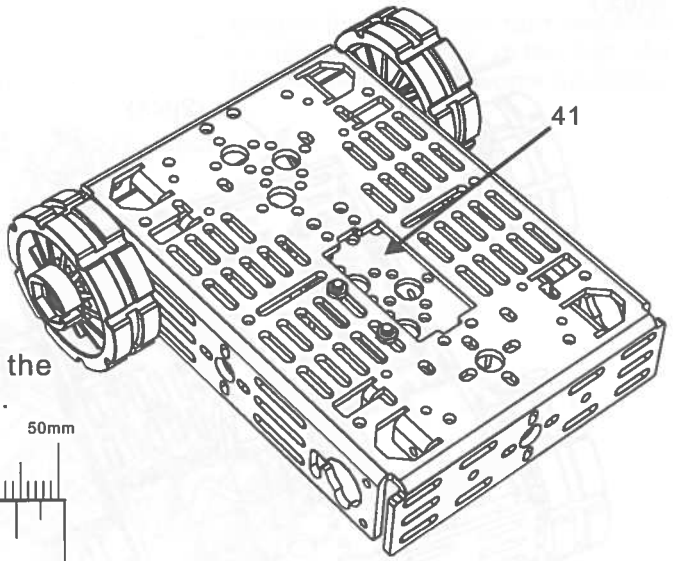
Reminder: if the wheel assembly too tight, it makes the DC motor turn hard, please get the NO. 15 screw out and put screw M3*15 instead, hold the wheel in hand, and use a hammer to push M3*15 into the wheel hub, then it becomes easy to pull out the wheel. Next is to reassembly wheel again according to the steps.



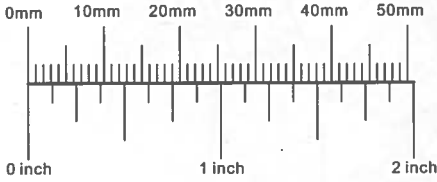
Step 4:



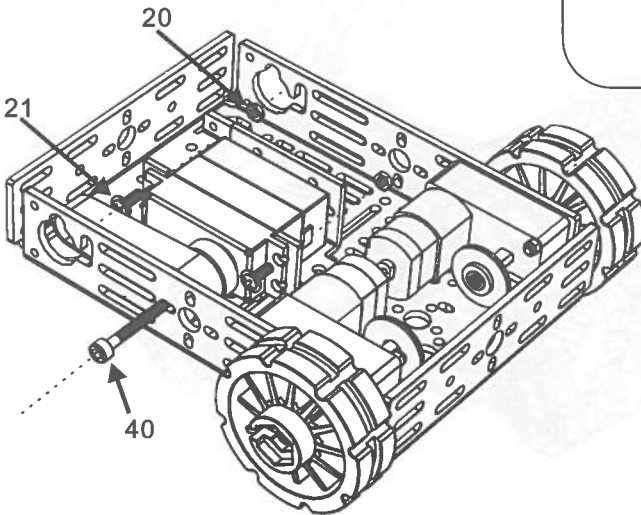
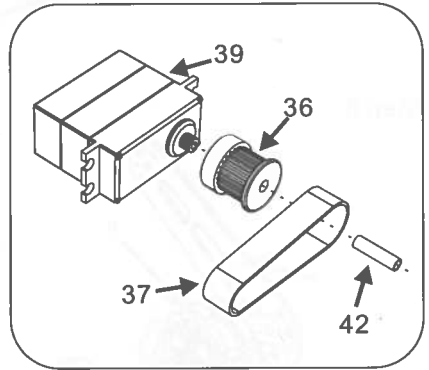
Step 5:



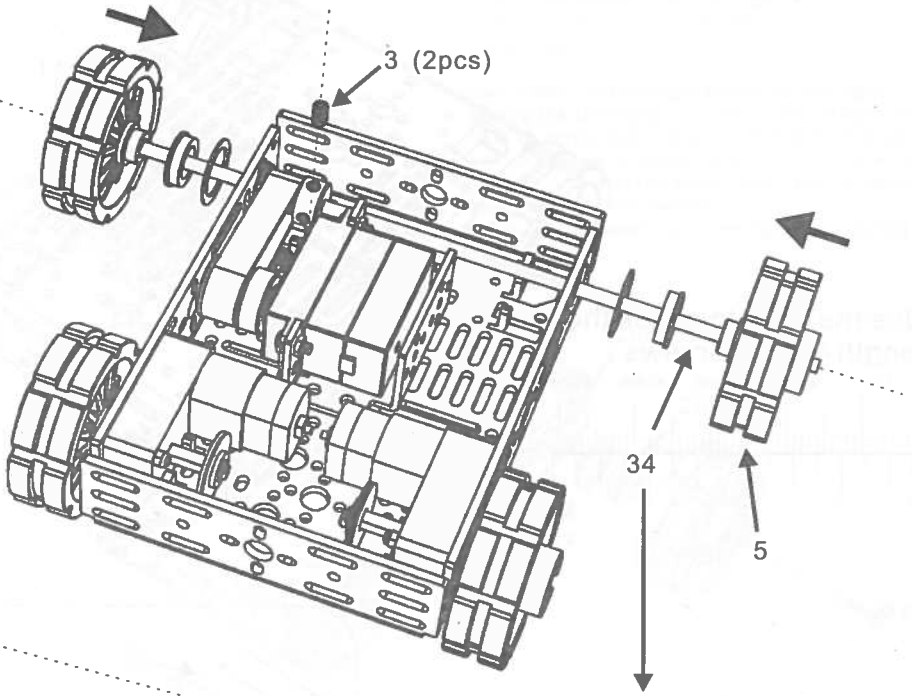
Use the ruler to check the length of your screws .



Step 6:

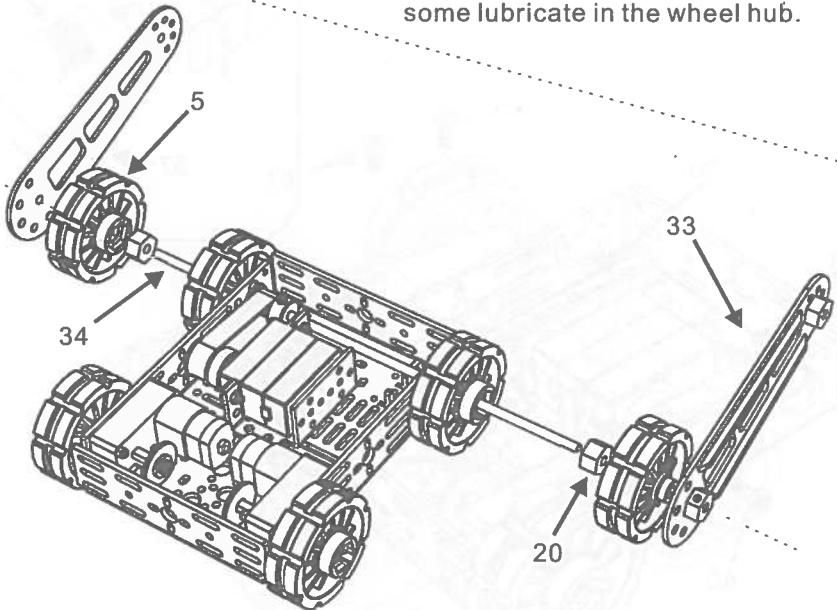


Step 7:

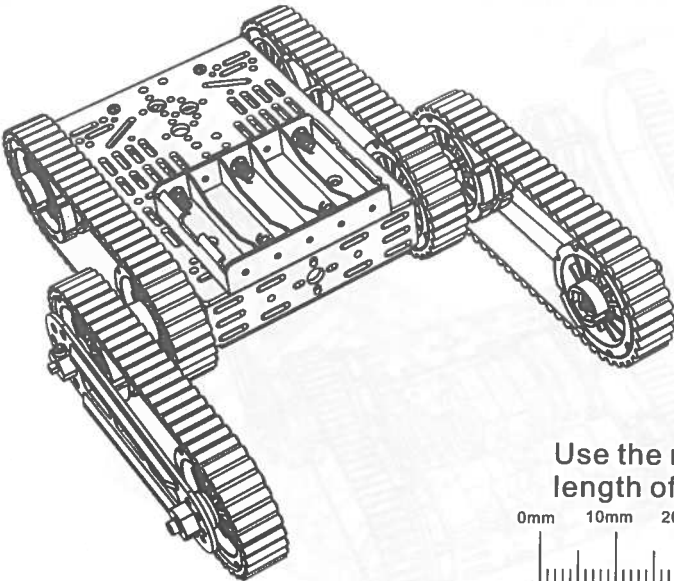
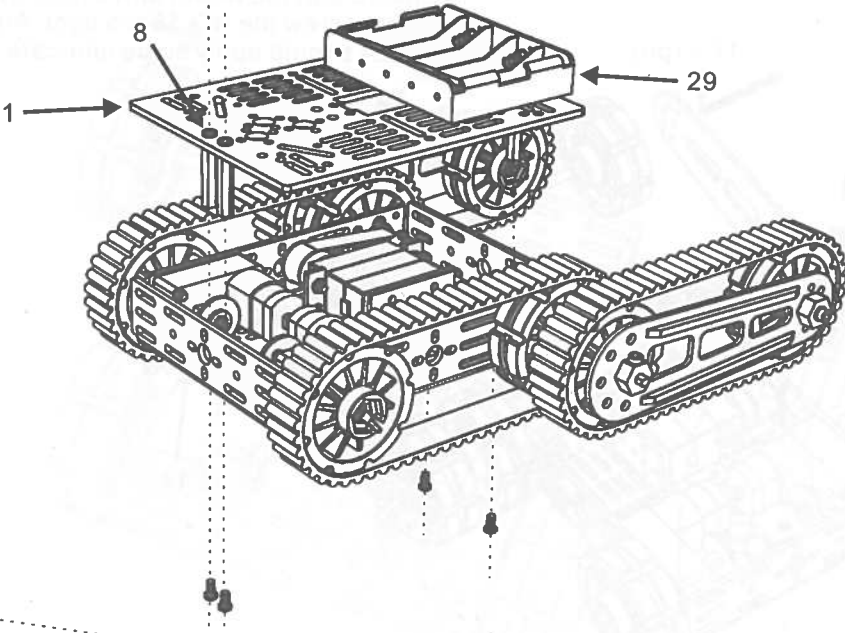


Step 8:

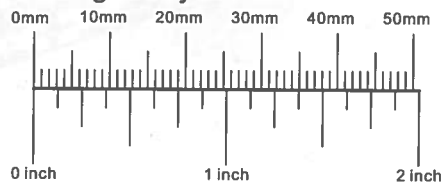
Ensure that the wheel turn smoothly, apply some lubricate in the wheel hub.



Step 11:



Use the ruler to check the length of your screws .



Finished